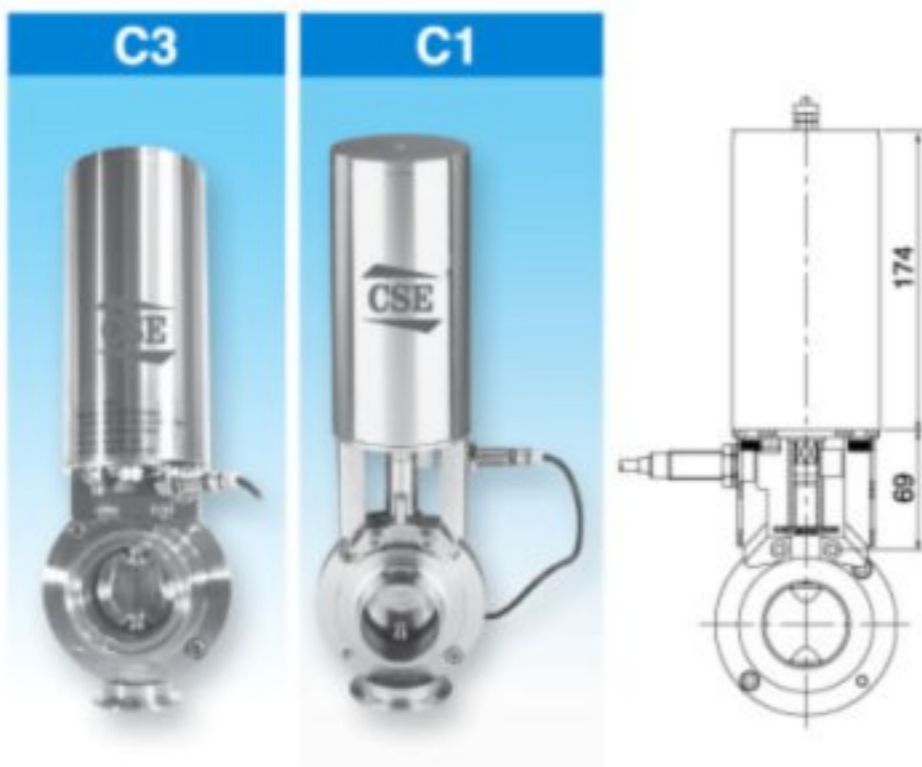




CSE AUTO CONTROL ACTUATOR FOR BUTTERFLY VALVE

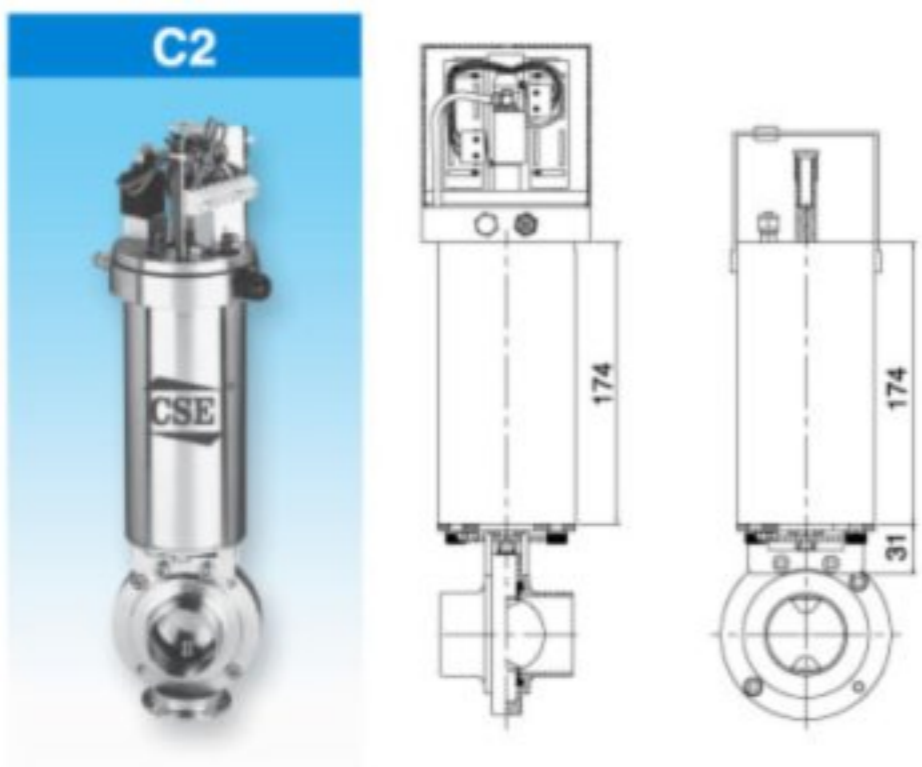
C3, C2, C101 actuator instruction(基本資料)

1. C3 & C2: Shut-Off time: 1.5 second ; Weight: 3.85KGS.
C101: Shut-Off time: 1.7 second ; Weight: 4.7KGS
2. Operating air pressure: 4m/kg ; Min. 5bar ; Max. 9bar compress air
3. C3 & C2 Air consumption: 0.266 Liter at 5 bar ; C101 Air consumption: 0.550 Liter at 5 bar.
4. Material: stainless steel AISI 304
5. Can be equipped with normal close or open.



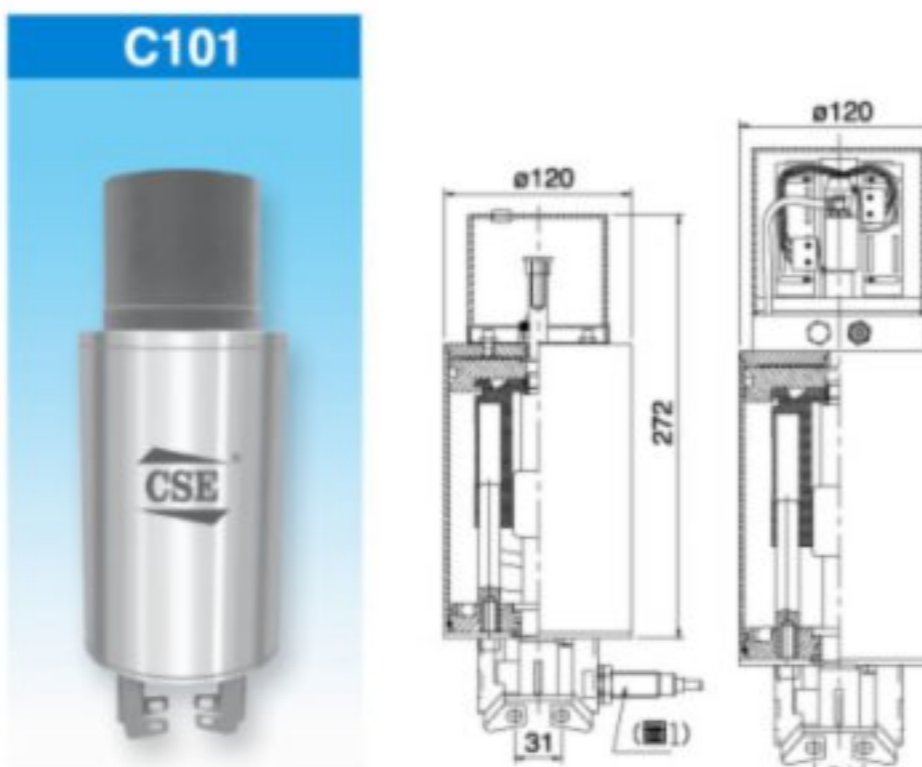
C1 / C3 Operation instruction (使用說明)

1. C1 / C3 Actuator apply to butterfly valve in size 1"-3" of the disc head DIA. 12mm X 8mm. (other size can be require)
2. Signal transfer: can be connect with M18 or M12 screw proximity switch (PNP or NPN)
3. Air/Air (double effect) actuator or air/spring (simple effect) actuator are available.
4. Accessories: adapter: 1pc ; M6 X 35 screw: 2pcs ; washer: 4pcs ; M6 nut: 2pcs ; 1/8PT quick coupler: 1pc



C2 Operation instruction (使用說明)

1. C2 Actuator apply to butterfly valve in size 1"-3" of the disc head DIA. 12mm X 8mm.(other size can be require)
2. Control ways:
 - 2-1. Signal transfer:
 - a.With 10-30VDC proximity switch contact: 1 or 2pcs. (PNP or NPN)
 - b.Or 3A 125VAC. 30VDC microswitch: 2pcs
 - 2-2 Individual control: Choice (a) or (b) + DC24 3.0W electric valve: 1pc & Air manifold (for complete control box).
3. Air/Air (double effect) actuator or air/spring (simple effect) actuator are available.
4. Accessories: adapter: 1pc ; M6 X 35 screw: 2pcs ; washer: 4pcs ; M6 nut: 2pcs ; 1/8PT quick coupler: 1pc



C101 Operation instruction (使用說明)

1. C101 Actuator apply to butterfly valve in size 4"-6" of the disc head DIA. 12mm X 12mm.
2. Control ways:
 - 2-1. Signal transfer:
 - a.Can be connect with M18 or M12 screw proximity switch (PNP or NPN) as (1)
 - b.With 10-30 VDC proximity switch contact: 1 or 2pcs (PNP OR NPN)
 - c.Or 3A 125VAC. 30VDC microswitch: 2pcs
 - 2-2. Individual control: Choice (a) or (b) or (c) + DC24 3.0W electric valve: 1pc & air manifold (for complete control box).
3. Air/Air (double effect) actuator or air/spring (simple effect) actuator are available.
4. Accessories: adapter: 1pc ; M6 X 40 screw: 2pcs ; washer: 4pcs ; M6 nut: 2pcs ; 1/8PT quick coupler: 1pc

C1型式之組合圖與零件表 (C1 Type construction assembly drawing & items list)

C1 & C2 & C101 氣動頭輸出扭力值 : Max. output torque 20N/m on C1 & C2
Max. output torque 30N/m on C101

零件表 Parts List			
Item	Parts name	Q'TY	Material
1	St.St cylinder	1	St.St 304
2	St.St cylinder cap	1	St.St 304
3	Piston	1	Tenac 4010/SH410
4	Lock wire clip	1	St.St 304
5	Lower cylinder end	1	St.St 304
6	Piston guide part	2	St.St 304
7	Piston guide part	1	St.St 304
8	Compress spring	6	St.St 304
9	Piston guide part	5	St.St 304
10	Piston axle O-ring	1	Teflon
11	Teflon gasket	1	Teflon
12	Coupling axle piece	1	St.St 304
13	Conact seal	1	St.St 304
14	Circlip	1	St.St 304
15	Mounting bracket	1	St.St 304
16	Connection piece	1	St.St 304
17	Assembly valve way	1	St.St 304/316(L)
18	M8x12 ST.ST screw	2	St.St 304
19	M6 Nut	2	St.St 304
20	M6x35 ST.ST screw	2	St.St 304
21	Air connection	1	Copper
22	Positioning index	1	St.St 304

